



NEPAL ELECTRICITY AUTHORITY
(An Undertaking of Government of Nepal)
TRANSMISSION DIRECTORATE

TAMAKOSHI – KATHMANDU 220/400 KV TRANSMISSION LINE PROJECT

Addendum – 1

**IFB No.: ICB-TD-TKTLP-073/74-02: Procurement of Plant for Gas Insulated 220 kV
Barhabise Substation (Design, Supply, Install and Commission)**

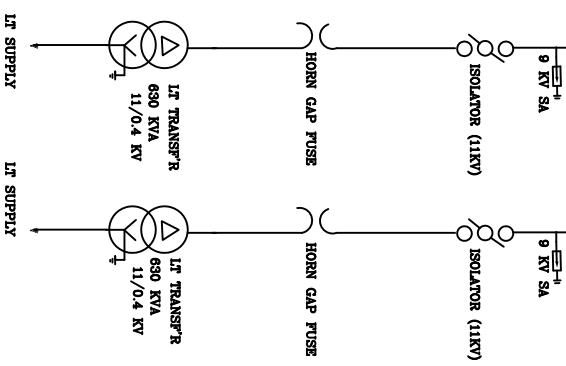
Pursuant to ITB 8, the following Addendum-1 has been issued in response to the queries received during pre-bid meeting:

1. The Drawing No. C/ENGG/NEA/BARHABISE/SLD/01 Rev-00 has been replaced by the drawing attached herewith.
2. In accordance with ITB 24 and pursuant to ITB 27 the deadline for submission of the Bids has been extended up to 24 July 2017, 12:00 Noon (Nepal Standard Time). Technical Bids will be opened on the same day at 12:30 Hours (Local Time).

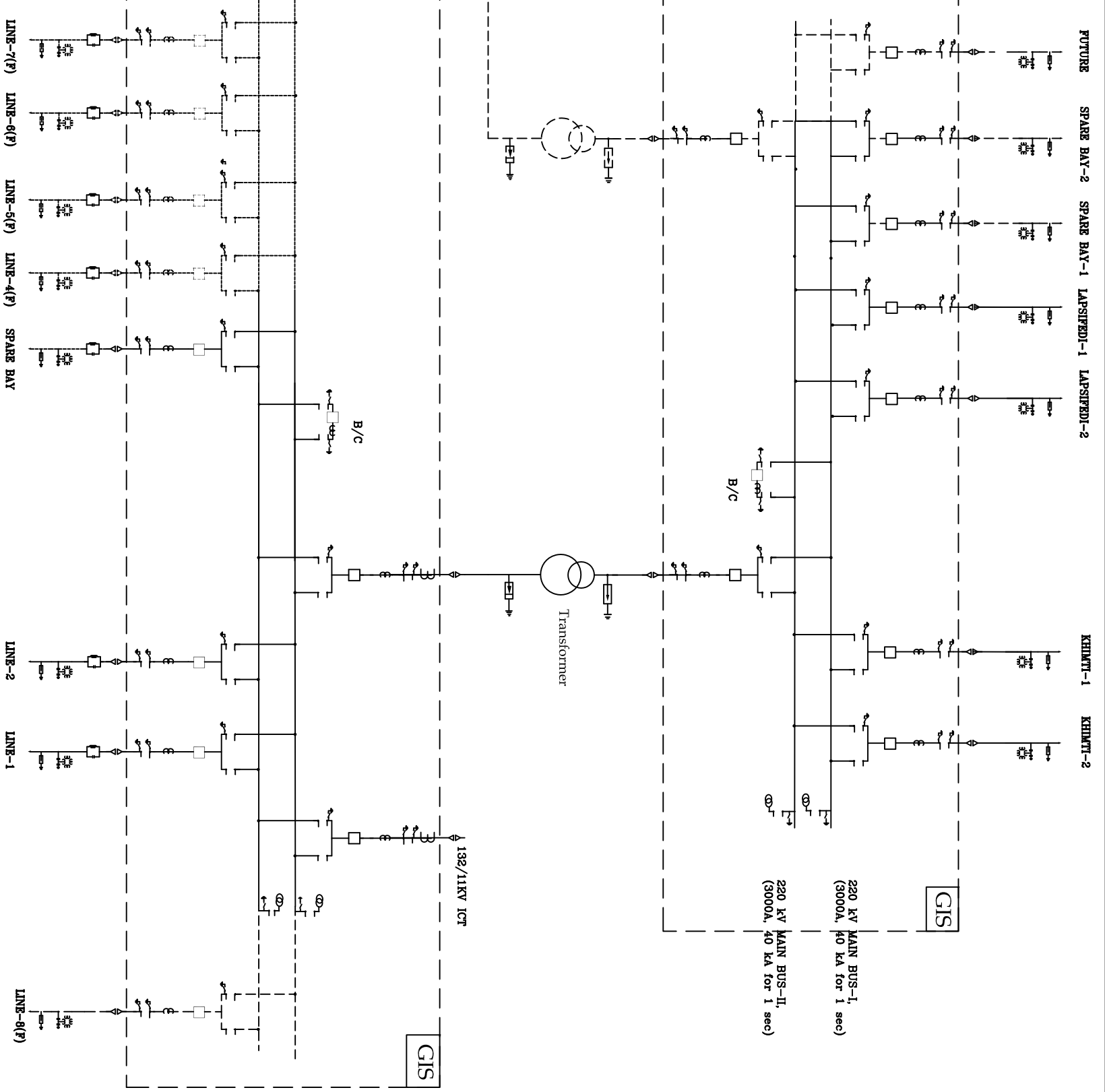


FROM 11KV SWITCH YARD

LINE FROM LAMOGANGURU



LEGEND :
 PRESENT SCOPE ———
 FUTURE - - - - -
 SF6 TO AIS BUSHING



BOO.
 FAULT LEVEL:
 220KV: 40 KA for 1 sec
 132KV: 31.5 KA for 1 sec

Sl. No.	SYM.	DESCRIPTION	
1		53.33MVA, 220/132 KV, 1-Ph Power Transformer	04
2		220 KV/440pF CVT, 1 Ph.	12
3		216 KV SURGE ARRESTER, 1Ph.	16
4		245KV, 1600A, SF6 gas insulated Transformer bay module	1
5		245KV, 1600A, SF6 gas insulated Line bay module	4
6		245KV, 1600A, SF6 gas insulated Line bay module (SPARE)	1
7		245KV, 3-phase, SF6 gas insulated 3000A bus bars including bus PFTs	2
8		245KV, 3-phase, SF6 gas insulated 3000A bus coupler module	1
9		145KV, 1250A, SF6 gas insulated Transformer bay module	2
10		145KV, 1250A, SF6 gas insulated Line bay module	2
11		145KV, 1250A, SF6 gas insulated Line bay module (SPARE)	1
12		145KV, 3-phase, SF6 gas insulated 2000A bus bars including bus PFTs	2
13		145KV, 3-phase, SF6 gas insulated 2000A bus coupler module	1
14		145 KV, 8800 pF, CVT, 1 Ph.	6
15		120 KV SURGE ARRESTER, 1Ph.	13
16		132KV WAVE TRAP, 0.5mH, (-1-1Ph)	2
17		5MVA, 132/11 KV, 3-Ph Power Transformer	1

FOR TENDER PURPOSE ONLY

POWER GRID CORPORATION OF INDIA LIMITED
 (A GOVERNMENT OF INDIA ENTERPRISE)

PROJECT: CONSULTANCY SERVICES TO NEA FOR TAMAKOSH(KHIMTD),KATHMANDU 220/400KV TL PROJECT
 SUBSTATION: 220/132/11KV BAHARABISE GIS SUBSTATION

AGM (ENGG-S/S)	AGM (ENGG-S/S)	ED (ENGG-S/S&T/L)
CLEARED BY		APPROVED BY
DATE	DATE	DATE
S.K THAKUR	DRG.NO.	C/ENGG/NEA/BAHARABISE/SLD/01
2015		
DATE	DATE	REV
		00